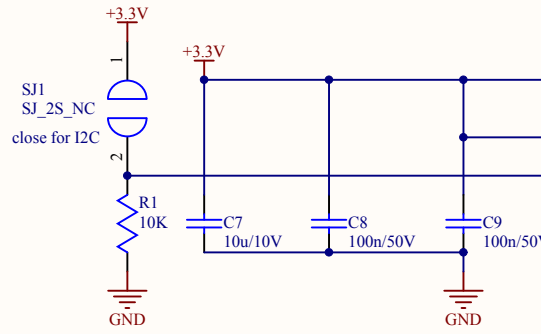
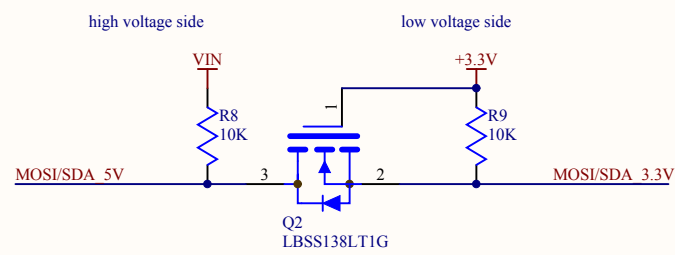
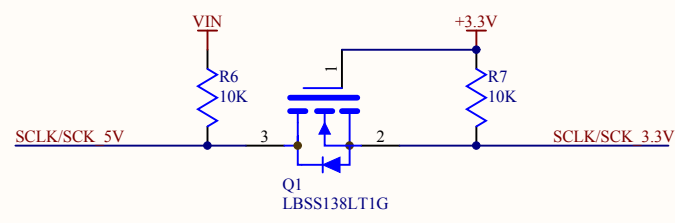
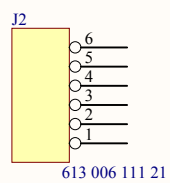
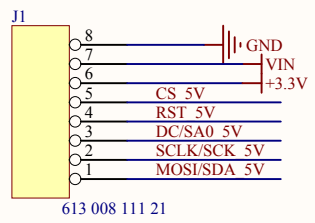
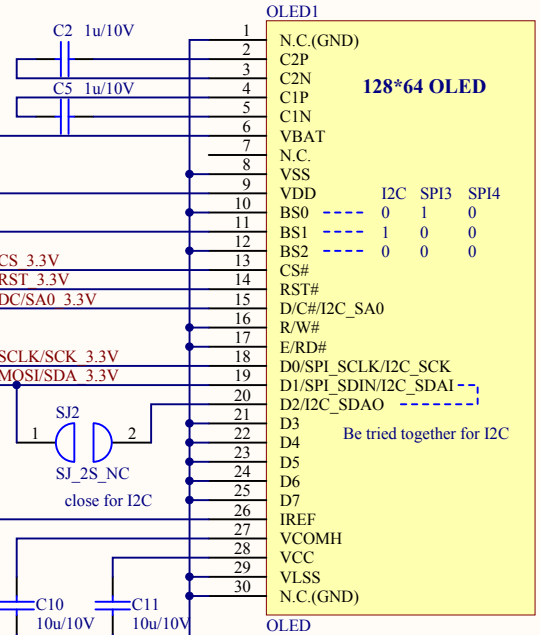


SPI	I2C
GND	GND
VIN	VIN
3.3V	3.3V
CS	CS
RST	RST
D/C	D/C
SCLK	SCK
MOSI	SDA



VDD Power Supply for Logic
 VBAT Power Supply for DC/DC Converter Circuit
 VCC Power Supply for OEL Panel

The 4-wire serial interface consists of serial clock: SCLK, serial data: SDIN, D/C#, CS#.
 The 3-wire serial interface consists of serial clock SCLK, serial data SDIN and CS#



DrawnBy:	HuangChao	Date:	2014/ 2/ 19
Checkedby:	*	Date:	
Approvedby:	*	Date:	
Sheet NO	1	of	1
Size:	A4		

Sheet Name:	OLED Breakout
Document Name:	OLED Breakout V1r0
Document NO	*