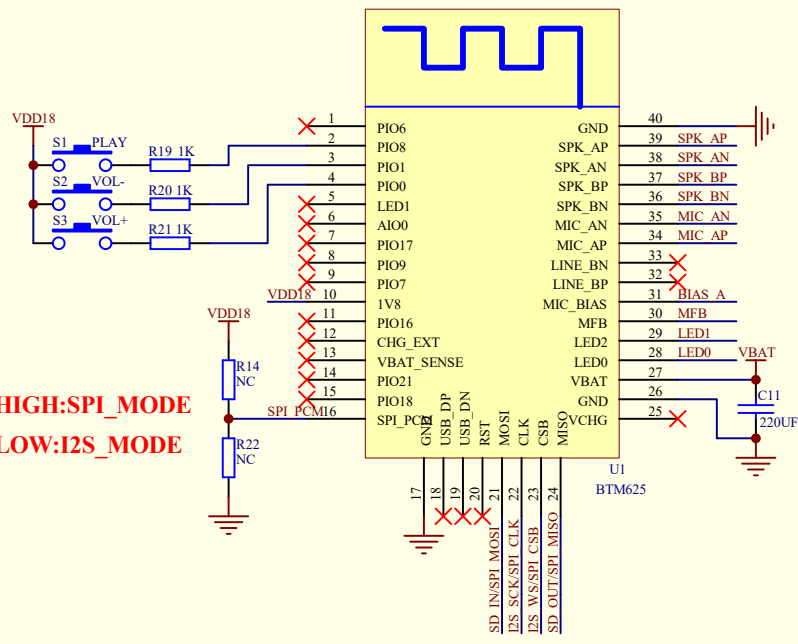


SPI_PCM_HIGH:SPI_MODE
 SPI_PCM_LOW:I2S_MODE

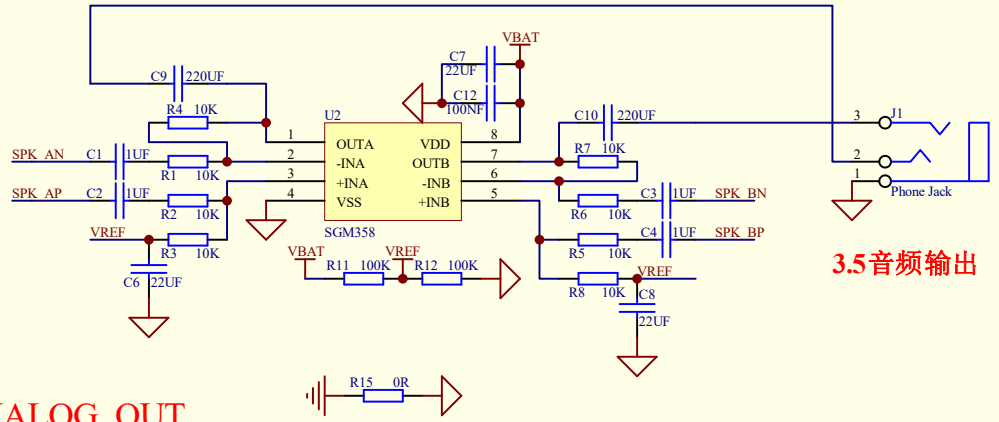
BT MODULE

POWER DC供电电压: 3.3-4.2V

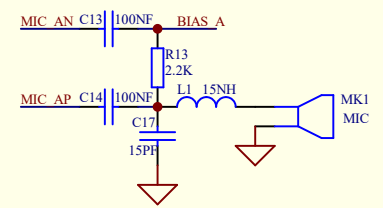


ANALOG_OUT

3.5音频输出

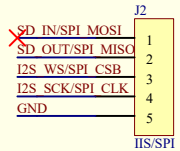


MIC_IN



I2S_OUT/SPI

SPI_PCM高电平为SPI调试模式
 SPI_PCM低电平为I2S音频输出模式
 I2S数据不提供主时钟(MCLK)，芯片需要加晶振



Title		
Size	Number	Revision
A4		
Date:	7-Dec-2015	Sheet of
File:	E:\Bluetooth\SJR\Customer\天嘉润\Application\BTM625	Drawn By: