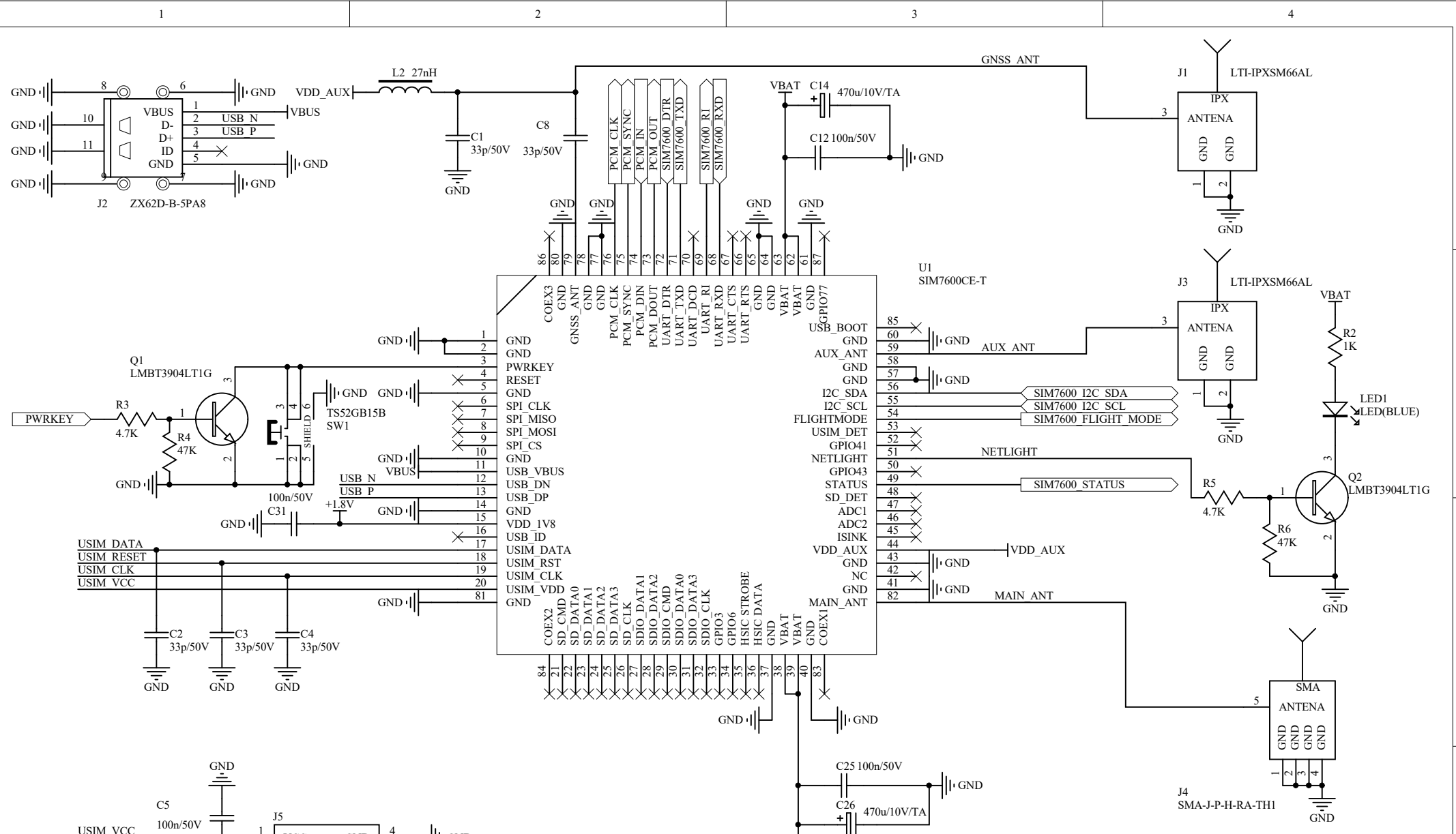
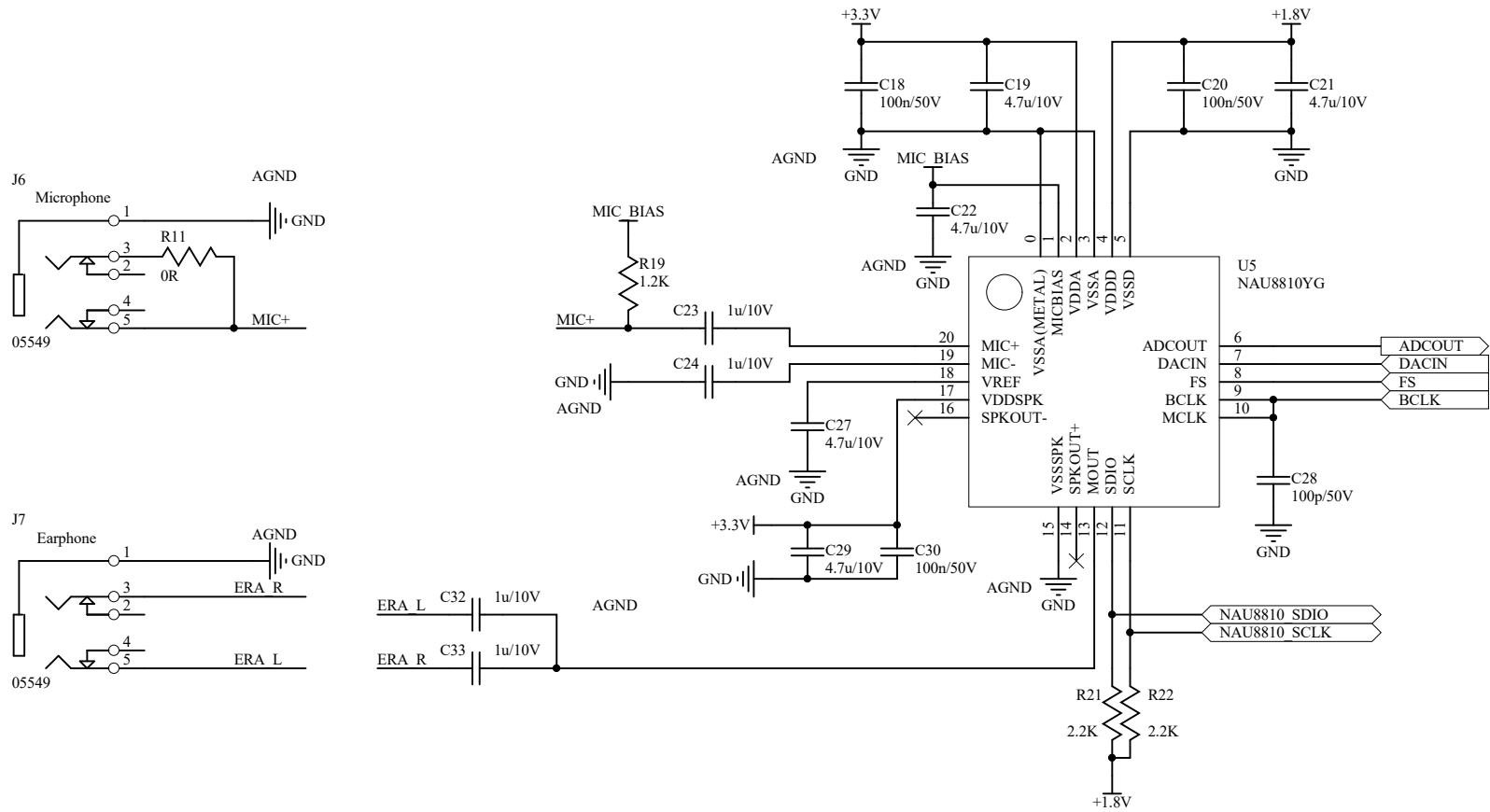


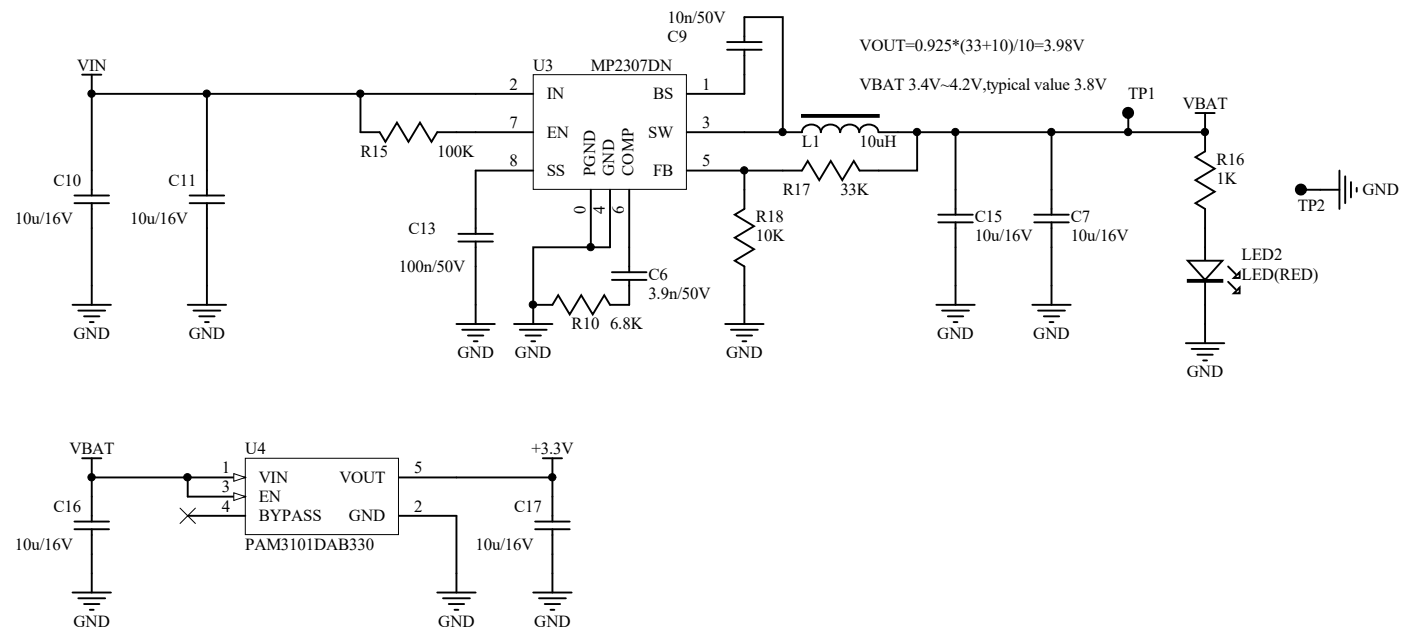
DrawnBy: HuangChao	Date: 2020. 2. 22	TinySine	Tinysine Electronics
Checkedby: *	Date:	Sheet Name: Top	
Approvedby: *	Date:	Document Name: 4G Shield V1r1	
Sheet NO 1 of 5	Size: A4	Document NO: *	



Drawn By: HuangChao Date: 2020. 2. 22 Checked by: * Date: Approved by: * Date:		TinySine Tynysine Electronics Sheet Name: SIM7600CE Document Name: 4G Shield V1r1 Document No: *	
Sheet NO	2 of 5	Size: A4	Document NO: *

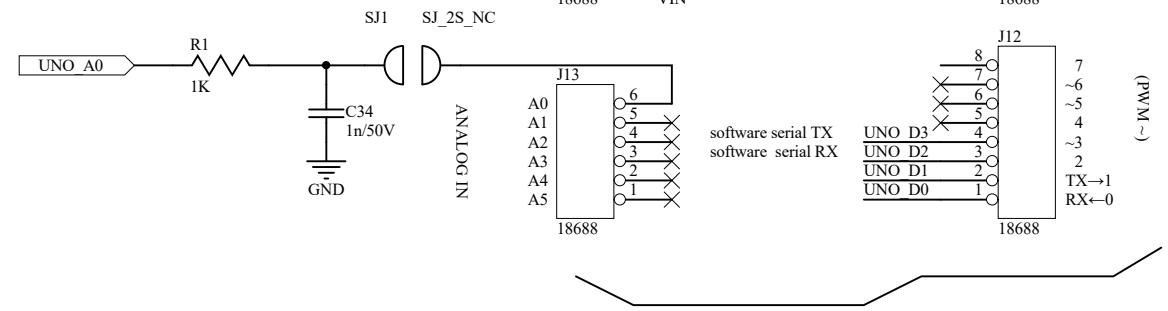
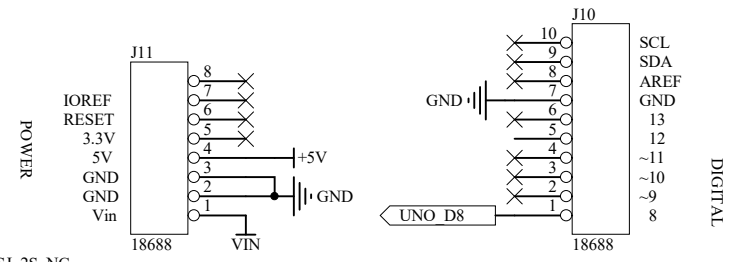
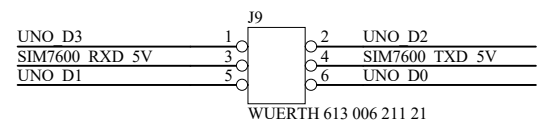
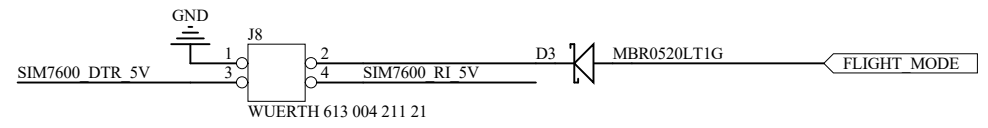
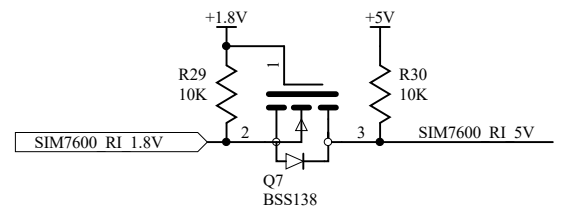
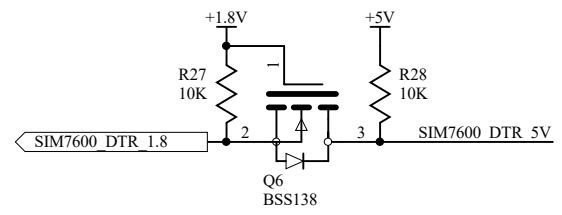
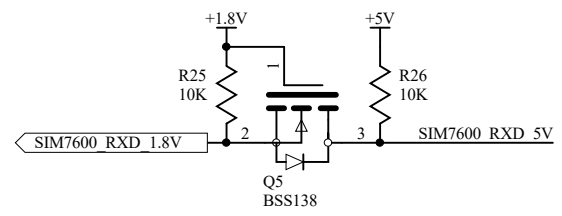
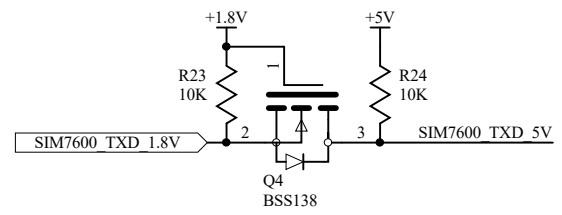


TinySine T i n y s i n e E l e c t r o n i c s	
Drawn By: HuangChao Date: 2020. 2. 22	Sheet Name: Audi o
Checked by: * Date:	Document Name: 4G Shi el d V1r 1
Approved by: * Date:	Document NO: *
Sheet NO 3 of 5 Size: A4	



DrawnBy:	HuangChao	Date:	2020. 2. 22
Checkedby:	*	Date:	
Approvedby:	*	Date:	
Sheet NO	4	of	5
Size:	A4		

Sheet Name:	Power
Document Name:	4G Shield V1r1
Document NO:	*



TinySine T i n y s i n e E l e c t r o n i c s	
Drawn By: HuangChao Checked by: * Approved by: * Sheet NO: 5 of 5	Date: 2020. 2. 22 Date: Date: Size: A4
Sheet Name: UNO Document Name: 4G Shield V1r1 Document NO: *	

