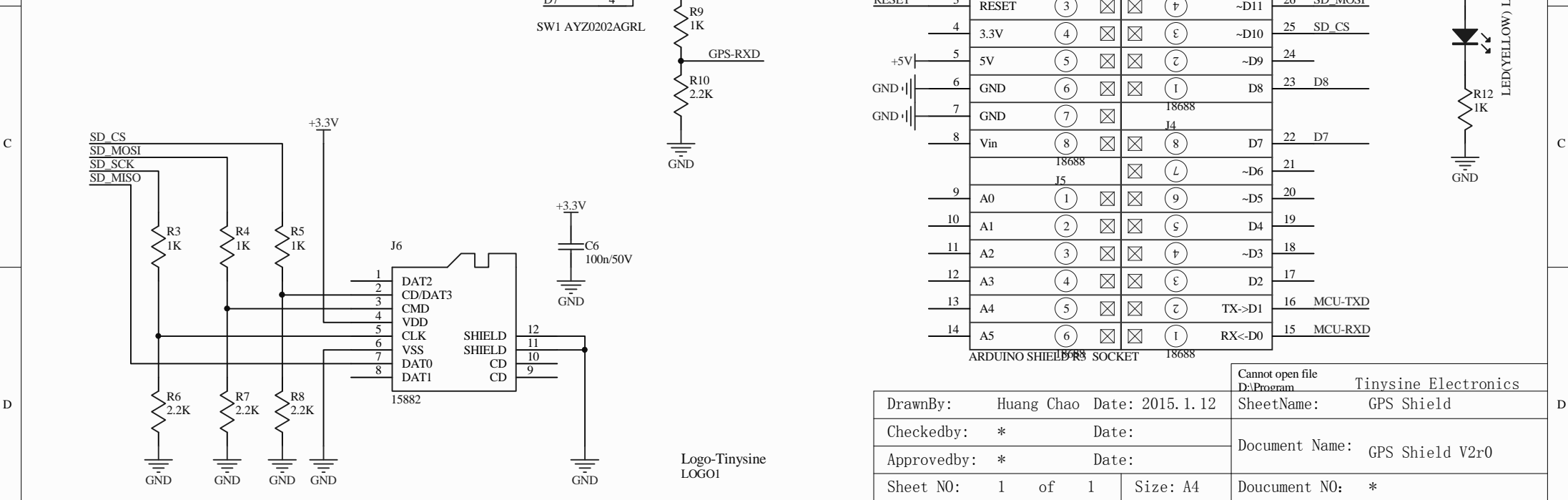
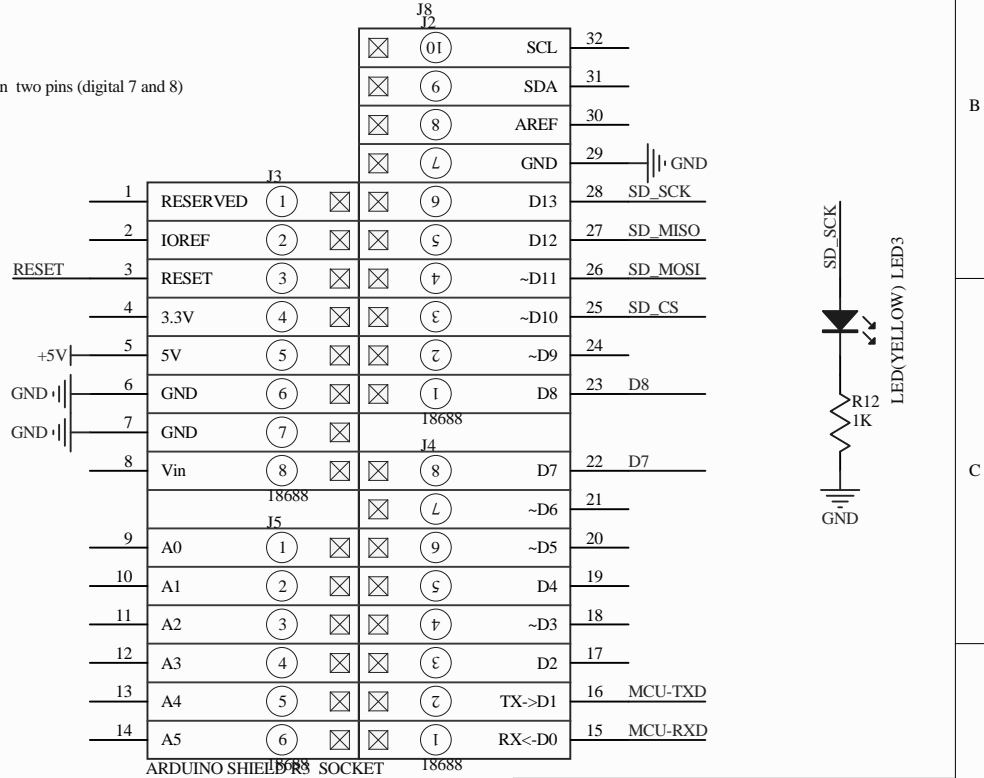
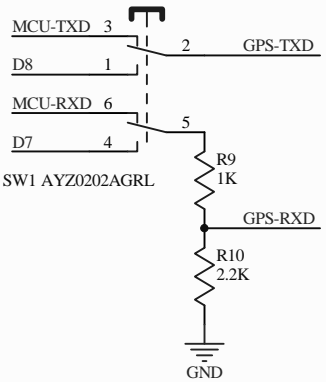


Direct Connect
the Arduino would act like a USB->UART bridge

Soft Serial Connect
The soft serial connection works by setting up a secondary UART on two pins (digital 7 and 8) so that the main UART is free for debugging & uploading sketches



DrawnBy:	Huang Chao	Date:	2015. 1. 12	Cannot open file D:\Program	Tinysine Electronics
Checkedby:	*	Date:		SheetName:	GPS Shield
Approvedby:	*	Date:		Document Name:	GPS Shield V2r0
Sheet NO:	1	of	1	Size:	A4
				Document NO:	*