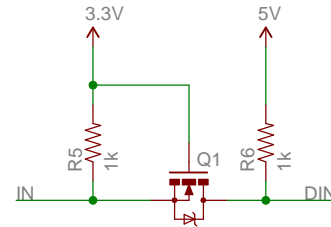
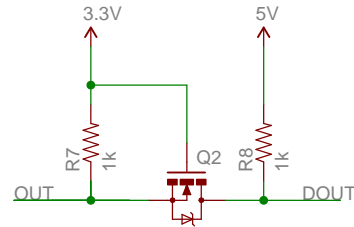
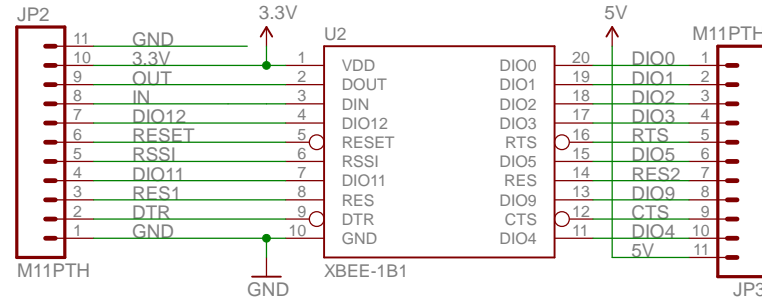
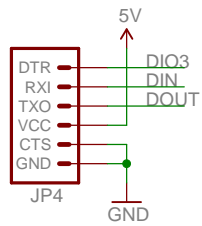
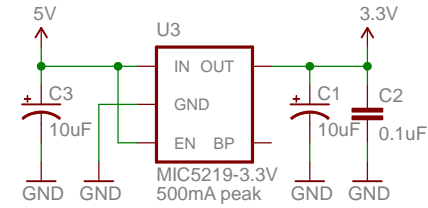
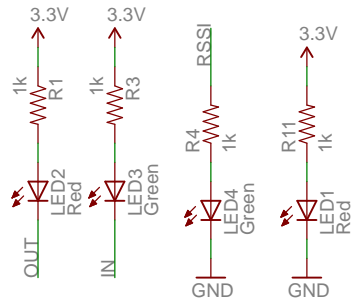


v14--added MOSFET level shifter instead of series reverse diode



○ ○ ○ ○ ⊗ ⊗

TITLE: XBee-Regulated-v14

Document Number:

REV:

Date: 2013-05-15 21:07:07

Sheet: 1/1