

A

A

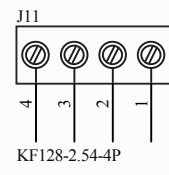
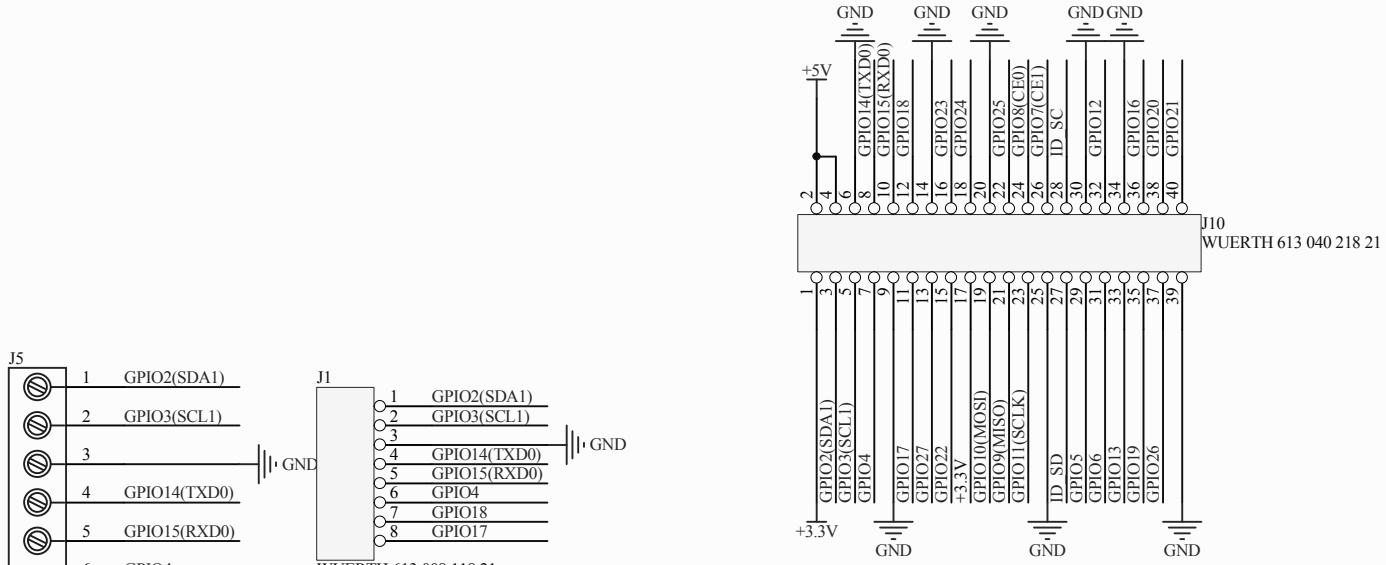
B

B

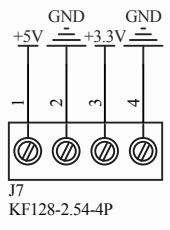
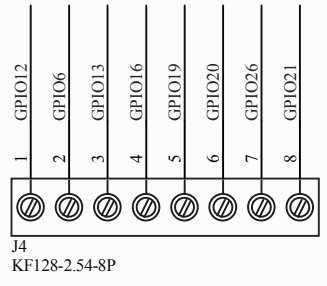
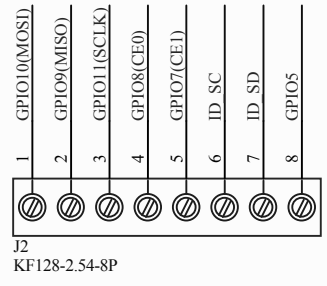
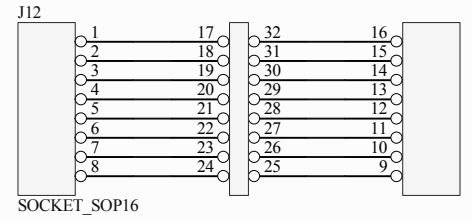
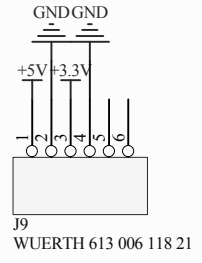
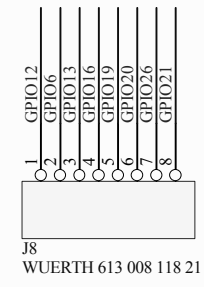
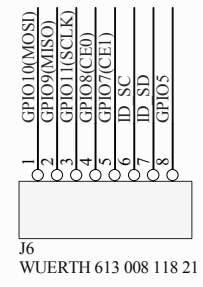
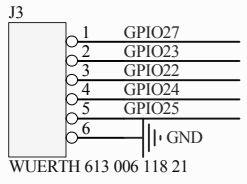
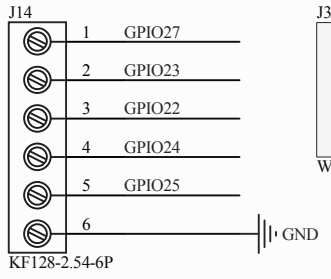
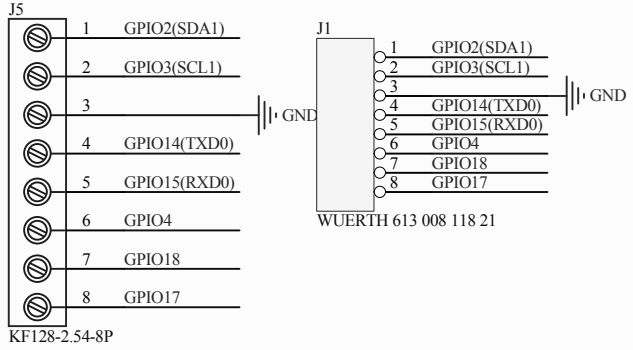
C

C

D



Cannot open file  
 D:\Program  
 Files\Altium  
 LOGO1



DrawnBy: HuangChao		Date: 2014/9/2	Cannot open file D:\Program	Tinysine Electronics
Checkedby: *		Date:	SheetName:	Raspberry Pi B+ Prototyping
Approvedby: *		Date:	Document Name:	Raspberry Pi B+ Prototyping
Sheet NO: 1	of 1	Size: A4	Document NO: *	